

Krings Trench shoring systems / Endsupported compact shoring systems

KS 100



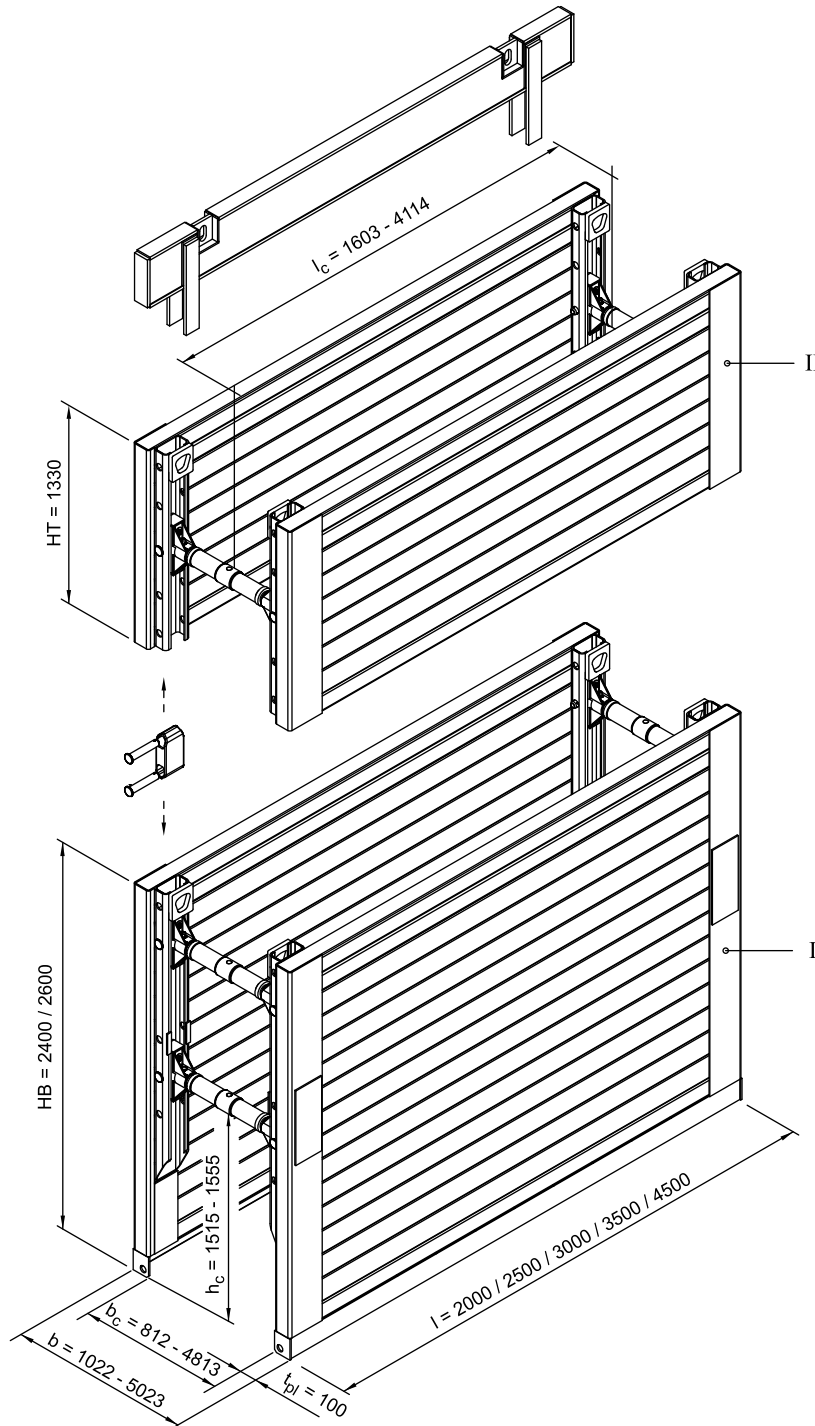
KS 100

Shoring length	2,00 m - 4,50 m
Height base unit	2,40 m / 2,60 m
Height top unit	1,30 m
Pipe culvert height	max. 1,56 m
Weight	1399 kg - 2715 kg

The KS 100 is a versatile trench box for a wide range of shoring tasks. It is the world's most frequently used trench box. Its uncomplicated use in countless variations in terms of trench width, assignment depth, lengths available on site and conventional vertical pipe clearances (up to 1.56 m) make all settings possible within the quoted maximum sizes. Its most cost-effective use is in trenches up to about 6 m deep.

The struts are compatible with the box and slide rail system. As on all KRINGS trench boxes, working with this edge-supported compact element in practical sizes is very straightforward inexpensive, safe and reliable. No disturbance to the environment is caused by driving or vibration. The boxes can be installed by placement in the ready excavated trench or by lowering with concurrent excavation.

KS 100



I	Base unit	l_c	Pipe culvert length
II	Top unit	b	Shoring / trench width
HB	Height base unit	b_c	Inner width
HT	Height top unit	h_c	Pipe culvert height
l	Length	t_{pl}	Thickness

↑ KS 100

(All dimensions in mm)

KS 100

Base units

Art. No.	l [m]	h [m]	t _{pl} [m]	h _c [m]	l _c [m]	G / VP [kg]	G / Box [kg]	A [m ²]	eh [kN/m ²]
132 030	2,00	2,40	0,10	1,52	1,614	567,0	1.399,0 *	4,80	60,0
132 050	2,50	2,40	0,10	1,52	2,114	675,0	1.615,0 *	6,00	57,0
132 070	3,00	2,40	0,10	1,52	2,614	761,0	1.787,0 *	7,20	48,0
132 090	3,50	2,40	0,10	1,52	3,114	830,0	1.925,0 *	8,40	44,0
132 140	4,00	2,40	0,10	1,52	3,614	1.000,0	2.265,0 *	9,60	40,0
132 156	4,50	2,40	0,10	1,52	4,114	1.120,0	2.505,0 *	10,80	31,8
132 040	2,00	2,60	0,10	1,56	1,614	612,0	1.489,0 *	5,20	55,0
132 060	2,50	2,60	0,10	1,56	2,114	711,0	1.687,0 *	6,50	52,0
132 080	3,00	2,60	0,10	1,56	2,614	813,0	1.891,0 *	7,80	44,0
132 100	3,50	2,60	0,10	1,56	3,114	905,0	2.075,0 *	9,10	44,0
132 150	4,00	2,60	0,10	1,56	3,614	1.090,0	2.445,0 *	10,40	40,0
132 121	4,50	2,60	0,10	1,56	4,114	1.225,0	2.715,0 *	11,70	31,8

* with spindle 98x700

Top units

Art. No.	l [m]	h [m]	t _{pl} [m]	h _c [m]	l _c [m]	G / VP [kg]	G / Box [kg]	A [m ²]	eh [kN/m ²]
132 190	2,00	1,30	0,10	-	1,614	370,0	915,0 *	2,60	60,0
132 200	2,50	1,30	0,10	-	2,114	430,0	1.035,0 *	3,25	57,0
132 210	3,00	1,30	0,10	-	2,614	486,0	1.147,0 *	3,90	48,0
132 220	3,50	1,30	0,10	-	3,114	570,0	1.315,0 *	4,55	44,0
132 260	4,00	1,30	0,10	-	3,614	660,0	1.495,0 *	5,20	40,0
132 261	4,50	1,30	0,10	-	4,114	730,0	1.635,0 *	5,85	31,8

* with spindle 98x700

Struts / Extension bars

Art. No.	Short description	l [m]	G [kg]
139 385	Plug-in adapter pipe, ZW SB - 108x1000	1,00	28,0
139 400	Plug-in adapter pipe, ZW SB - 108x1500	1,50	37,4
139 420	Plug-in adapter pipe, ZW SB - 108x2000	2,00	47,3
139 425	Plug-in adapter pipe, ZW SB - 108x2500	2,50	60,0
139 430	Plug-in adapter pipe, ZW SB - 108x300	0,30	13,8
139 445	Plug-in adapter pipe, ZW SB - 108x500	0,50	17,7
139 470	Plug-in adapter pipe, ZW SB - 121x1000	1,00	36,3
139 510	Plug-in adapter pipe, ZW SB - 121x500	0,50	25,1
108 950	Spindle -heavy duty design-, lefthand, 98x817		32,0
108 960	Spindle -heavy duty design-, righthand, 98x817		33,0
138 260	Spindle to stick, 98x392		15,7
138 280	Spindle to stick, 98x550		22,0
138 290	Spindle to stick, 98x700		34,0
138 300	Spindle to stick, 98x817, complete		76,9

KS 100

Shoring widths for spindle 98x550

Extension bar	l [m]	b _c [m]	b [m]
	without	0,812 - 1,012	1,022 - 1,222
139 430	0,30	1,112 - 1,312	1,322 - 1,522
139 445	0,50	1,312 - 1,512	1,522 - 1,722
139 385	1,00	1,812 - 2,012	2,022 - 2,222
139 400	1,50	2,313 - 2,512	2,522 - 2,722
139 420	2,00	2,812 - 3,012	3,022 - 3,222
139 425	2,50	3,312 - 3,512	3,522 - 3,722

Shoring widths for spindle 98x700

Extension bar	l [m]	b _c [m]	b [m]
	without	0,988 - 1,328	1,198 - 1,538
139 430	0,30	1,288 - 1,628	1,498 - 1,838
139 445	0,50	1,488 - 1,828	1,698 - 2,038
139 385	1,00	1,988 - 2,328	2,198 - 2,538
139 400	1,50	2,488 - 2,828	2,698 - 3,038
139 420	2,00	2,988 - 3,328	3,198 - 3,538
139 425	2,50	3,488 - 3,828	3,698 - 4,038

Shoring widths for spindle 98x817

Extension bars	Total extension bar length [m]	b _c [m]	b [m]
0	0,00	0,913 - 1,313	1,123 - 1,523
1	0,50	1,413 - 1,813	1,623 - 2,023
2	1,00	1,913 - 2,313	2,123 - 2,523
3	1,50	2,413 - 2,813	2,623 - 3,023
4	2,00	2,913 - 3,313	3,123 - 3,523
5	2,50	3,413 - 3,813	3,623 - 4,023
6	3,00	3,913 - 4,313	4,123 - 4,523
7	3,50	4,413 - 4,813	4,623 - 5,023

A maximum of 7 extension bars with a length of 500 mm may be used.

Different and larger widths are possible by combining different spacer bars.

l	Length	t _{pl}	Thickness
l _c	Pipe culvert length	A	Area
b	Shoring / trench width	G	Weight
b _c	Inner width	G / VP	Weight per shoring panel
h	Height	G / Box	Weight per shoring box
h _c	Pipe culvert height	eh	Earth pressure max.

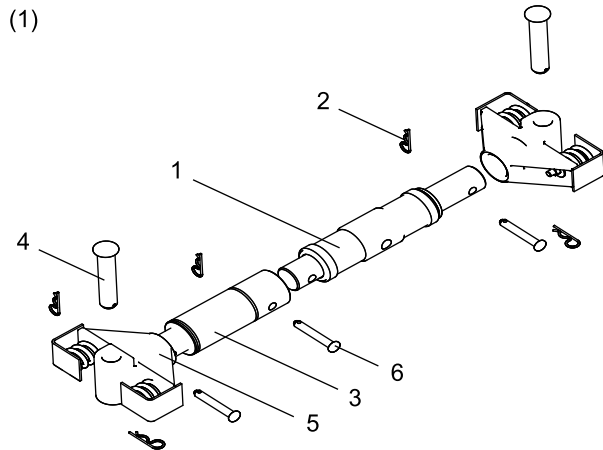
KS 100

Accessories / Spares

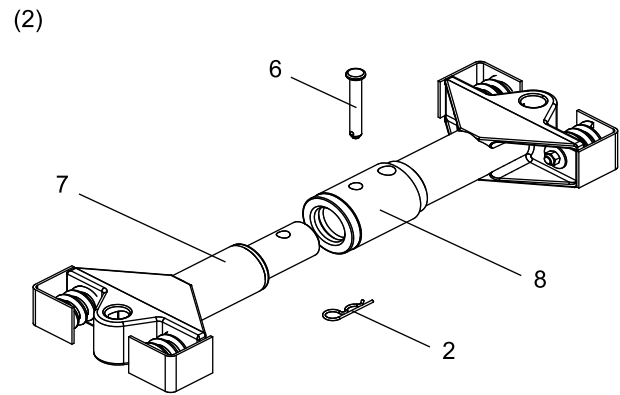
Art. No.	Short description	l [m]	G [kg]	d [m]	Standard
842 752	Adapter for DKU piling frame, corner shoring, h = 0.50 m KDVI		55,0		
842 753	Adapter for DKU piling frame, corner shoring, h = 1.00 m KDVI		94,0		
850 699	Adjustment bar	0,7	2,5	0,024	
336 960	Bearing claw for DKU piling frame element		40,0		
139 070	Chain sling connection, 4-leg, 2300 x 13	2,30	45,0		
139 080	Chain sling connection, 4-leg, 2800 x 13	2,80	57,0		
139 100	Connection stanchion 290 x 145		5,5		
842 099	DKU piling frame guide frame	2,27	105,0		
842 100	DKU piling frame guide frame	3,81	175,0		
842 982	Drop-in bearing block, adjustable		12,0		
859 982	Drop-in bearing block, Krings		175,0		
138 020	Fixing for pressure spring 100 x 85	0,100	0,8	0,085	
119 011	KVL adapter for spindles 98x530 / 98x700		6,5		
138 170	Mushroom FP 80		13,0		
IA 0120 F	Nut M 16		0,03		DIN 934
IA 0130 F	Nut M 20		0,03		DIN 934
138 030	Pin	0,125	0,4	0,020	
138 040	Pin	0,140	0,4	0,020	
138 070	Pin	0,212	2,5	0,043	
861 077	Pressure beam (Lightweight shoring, KS 60, KVL)	1,80	117,0		
861 078	Pressure beam (Lightweight shoring, KS 60, KVL)	2,30	138,0		
861 079	Pressure beam (Lightweight shoring, KS 60, KVL)	2,80	161,0		
861 080	Pressure beam (Lightweight shoring, KS 60, KVL)	3,30	183,0		
861 076	Pressure beam (Medium, Magnum shoring, KS 100, GLS)	1,60	175,5		
861 074	Pressure beam (Medium, Magnum shoring, KS 100, GLS)	2,35	236,0		
861 070	Pressure beam (Medium, Magnum shoring, KS 100, GLS)	2,80	271,0		
861 071	Pressure beam (Medium, Magnum shoring, KS 100, GLS)	3,40	318,0		
138 160	Pressure spring FP 80	0,084	0,8	0,054	
100 690	Rubber parts GPU 30 x 40		0,1		
IB 0310 F	Screw M 16 x 55		0,11		DIN 933
IB 0360 F	Screw M 20 x 45		0,17		DIN 933
138 200	Spring cotter 92 x 5	0,092	0,1	0,005	
ID 0160 F	Spring ring A 20		0,01		DIN 127
821 100	Suspension chain KL-13-8	5,000	25,7		
139 110	Wire rope 4-legs, 1800 x 20	1,80	40,0		
139 115	Wire rope 4-legs, 2300 x 20	2,30	44,0		
139 120	Wire rope 4-legs, 2800 x 20	2,80	46,0		

l	Length	G	Weight
d	Diameter		

KS 100



↑ (1) Strut 98 x 392 / 550 / 700



↑ (2) Strut 98 x 817

1	Spindle	5	Mushroom spring
2	Spring cotter	6	Pin Ø 43
3	Plug-in extension bar	7	Spindle, right
4	Pin Ø 43	8	Spindle, left