

ET58

Tracked Conventional Tail Excavators



**WACKER
NEUSON**
all it takes!



Powerful, comfortable and safe

Full steam ahead: The mini-excavator ET58 combines what is time-tested and proven with a large portion of innovation, thus becoming a master in the 5-ton class. It has the expected high lifting and excavation power as well as rapid work cycles. Thanks to the newest technologies, the emissions of the mini-excavator were reduced and the efficiency simultaneously increased, among other things. This is how, for example, the powerful engine of the ET58 fulfills the standards for exhaust emissions stage 5. The excavator is also impressive in terms of operator-friendliness. Work is no trouble at all thanks to the intuitive operating concept and flawless view of the working area.

- Performance is emphasized here: Six auxiliary control circuits, high lifting and excavation power and thus, rapid work cycles
- 3-point kinematics for more breakout force, insertion depth and dumping height
- Comfortable and fatigue-free joystick control thanks to Load Sensing Flow Sharing

ET58 Technical specifications

Operating data

Shipping weight	4,817 - 5,630 kg
Operating weight	5,052 - 5,890 kg
Biting force max. short dipper stick	28 kN
Breakout force max. bucket edge (ISO 6015), fix mounted + high power bucket	46 kN
Digging depth max.	4,017 mm
L x W x H	5,455 x 1,960 x 2,550 mm

Engine / Motor

Engine / Motor manufacturer	Perkins diesel engine
Engine / Motor type	403J-E17T
Engine / Motor	Water-cooled 3-cylinder turbo engine
Emission standards stage	V
Displacement	1,662 cm ³
RPM / speed	2,100 rpm
Engine performance	33.4 kW
Battery	77 Ah
Fuel tank capacity	80 l
Voltage	12 V

Hydraulic system

Duty pump	1 axial piston pump
Flow rate max.	132.3 l/min
Operating pressure for working and driving hydraulics	265 bar
Operating pressure slewing gear	209 bar
RPM / speed revolving superstructure	9 rpm

Undercarriage

Travel speed max.	4.4 km/h
Chain width	400 mm
Ground clearance	330 mm

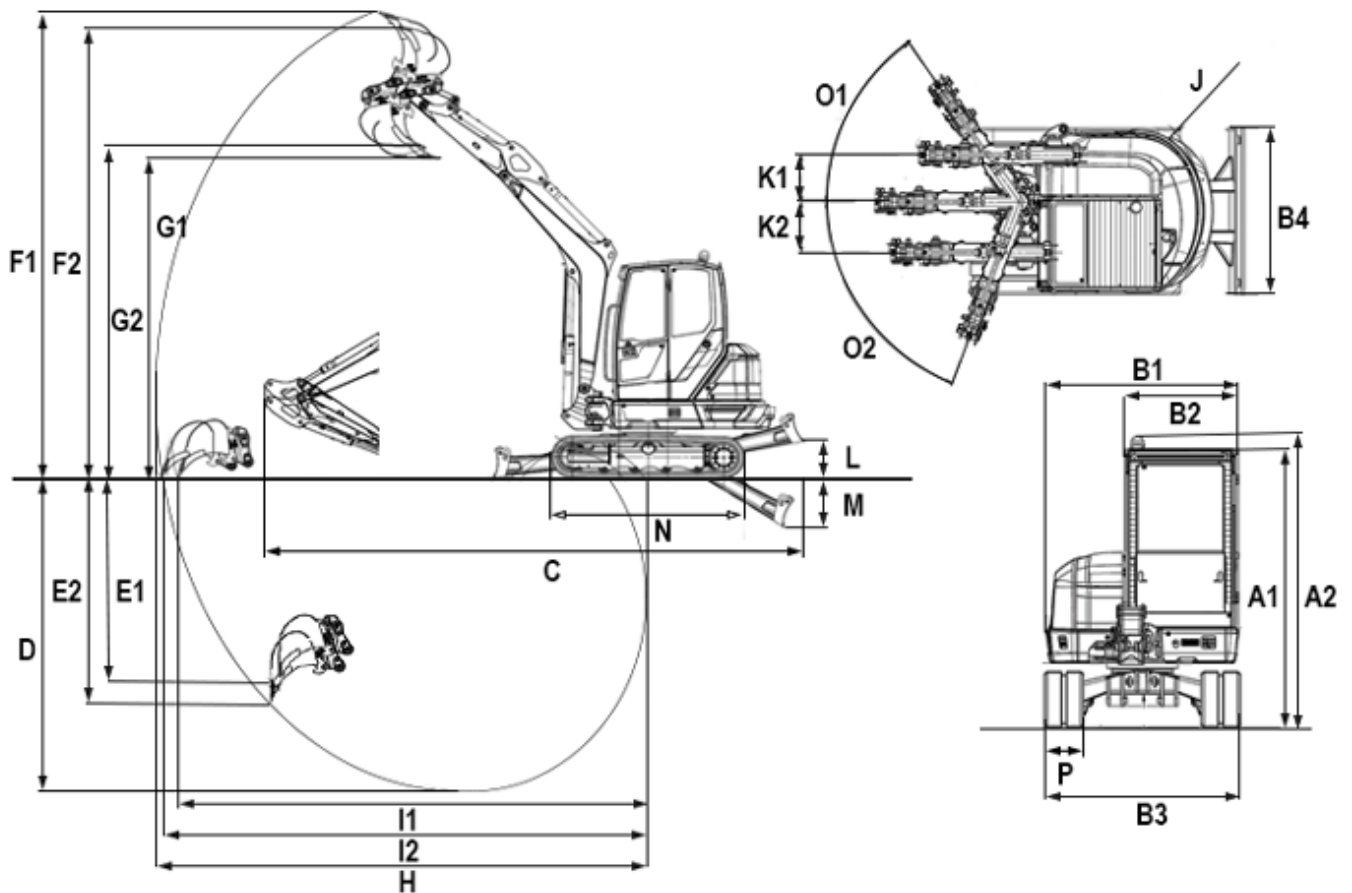
Dozer Blade

Width	1,960 mm
Height	428 mm
Stroke above subgrade	414 mm
Stroke below subgrade	439 mm

Sound level

Sound level (LwA)	97 dB(A)
Cabin - specified sound pressure level LpA	76 dB(A)

ET58 Dimensions



		Standard dozer blade	Swiveling dozer blade
A1	Height	2,550 mm	2,550 mm
A2	Height with rotating beacon	2,661 mm	2,661 mm
B1	Width revolving superstructure	1,719 mm	1,719 mm
B2	Width cabin	980 mm	980 mm
B3	Width chassis	1,960 mm	1,960 mm
B4	Width dozer blade	1,960 mm	1,960 mm
C	Transport length max. short dipper stick	5,455 mm	5,455 mm
C	Transport length max. long dipper stick	5,446 mm	5,446 mm
D	Digging depth max. short dipper stick	3,767 mm	3,767 mm
D	Digging depth max. long dipper stick	4,017 mm	4,017 mm
E1	Insertion depth max. short dipper stick	2,708 mm	2,708 mm
E2	Insertion depth max. long dipper stick	2,945 mm	2,945 mm
F1	Insertion height max. short dipper stick	5,749 mm	5,749 mm
F2	Insertion height max. long dipper stick	5,910 mm	5,910 mm
G1	Dump height max. short dipper stick	3,834 mm	3,834 mm
G2	Dump height max. long dipper stick	3,995 mm	3,995 mm
H1	Digging radius max. short dipper stick	6,039 mm	6,039 mm
H2	Digging radius max. long dipper stick	6,277 mm	6,277 mm
I1	Range max. short dipper stick	5,920 mm	5,920 mm

I2	Range max. long dipper stick	6,164 mm	6,164 mm
K1	Arm displacement max. (to center of bucket right side)	551 mm	551 mm
K2	Arm displacement max. (to center of bucket left side)	583 mm	583 mm
L	Lift height max. (dozer blade above subgrade)	414 mm	461 mm
M	Scraping depth max. (dozer blade below subgrade)	439 mm	486 mm
N	Length chassis	2,509 mm	2,509 mm
O1	Turning angle max. (arm system to the right)	55 °	55 °
O2	Turning angle max. (arm system to the left)	70 °	70 °
P	Chain width	400 mm	400 mm
Q	Boom slewing radius middle	2,409 mm	2,409 mm
Q	Boom slewing radius right	2,275 mm	2,275 mm
Q	Boom slewing radius left	2,022 mm	2,022 mm

Please note: that product availability can vary from country to country. It is possible that information / products may not be available in your country. More detailed information on engine power can be found in the operator's manual; the stated power may vary due to specific operating conditions. Subject to alterations and errors excepted. Applicable also to illustrations.

Copyright © 2021 Wacker Neuson SE.