

# ET65

## Tracked Conventional Tail Excavators



**WACKER  
NEUSON**  
*all it takes!*



### Performance and economic efficiency perfectly combined

The ET65 is an excavator like end users want it to be. A highly efficient machine that surprises with its compact design and maneuverability. Thanks to the high digging power and the powerful engine, the strong excavation performance is added bonus points that make the excavator into an all-rounder on the construction site. With the articulated boom, it also has a large reach, digging depth and dumping height.

- Precise and sensitive operation thanks to the load sensing hydraulic system with LUDV (load-independent flow control)\*!
- Low consumption due to the economical ECO mode
- Up to 5 auxiliary control circuits for the most varied attachments
- Extremely compact and maneuverable
- Maintenance and service made easy due to the tiltable cabin as well as the diagnostic tool

## ET65 Technical specifications

### Operating data

|                              |                          |
|------------------------------|--------------------------|
| Shipping weight min.         | 5,806 kg                 |
| Operating weight             | 6,078 - 6,954 kg         |
| Biting force max.            | 30.8 kN                  |
| Breakout force max.          | 50.7 kN                  |
| Digging depth max.           | 4,193 mm                 |
| Dumping height               | 3,912 - 4,898 mm         |
| Digging radius max.          | 6,877 mm                 |
| Superstructure slewing speed | 9 1/min                  |
| L x W x H                    | 6,128 x 1,950 x 2,478 mm |

### Engine / Motor

|                                     |   |
|-------------------------------------|---|
| Engine / Motor manufacturer         | Perkins                                     |
| Engine / Motor type                 | 404D-22T                                    |
| Engine / Motor                      | water-cooled 4-cylinder turbo diesel engine |
| Displacement                        | 2,216 cm <sup>3</sup>                       |
| RPM / speed                         | 2,000 rpm                                   |
| Engine performance according to ISO | 42 kW                                       |
| Battery                             | 88 Ah                                       |
| Fuel tank capacity                  | 85 l  |

### Hydraulic system

|   |  |
|---|--|
| Duty pump   | Variable displacement pump and gear pump |
| Flow rate   | 144 l/min                                |
| Operating pressure for working and driving hydraulics | 240 bar                                  |
| Operating pressure swing gear                         | 215 bar                                  |
| Hydraulic oil tank                                    | 92 l                                     |

### Undercarriage

|                   |          |
|-------------------|----------|
| Travel speed max. | 5.2 km/h |
| Chain width       | 400 mm   |
| Ground clearance  | 284 mm   |

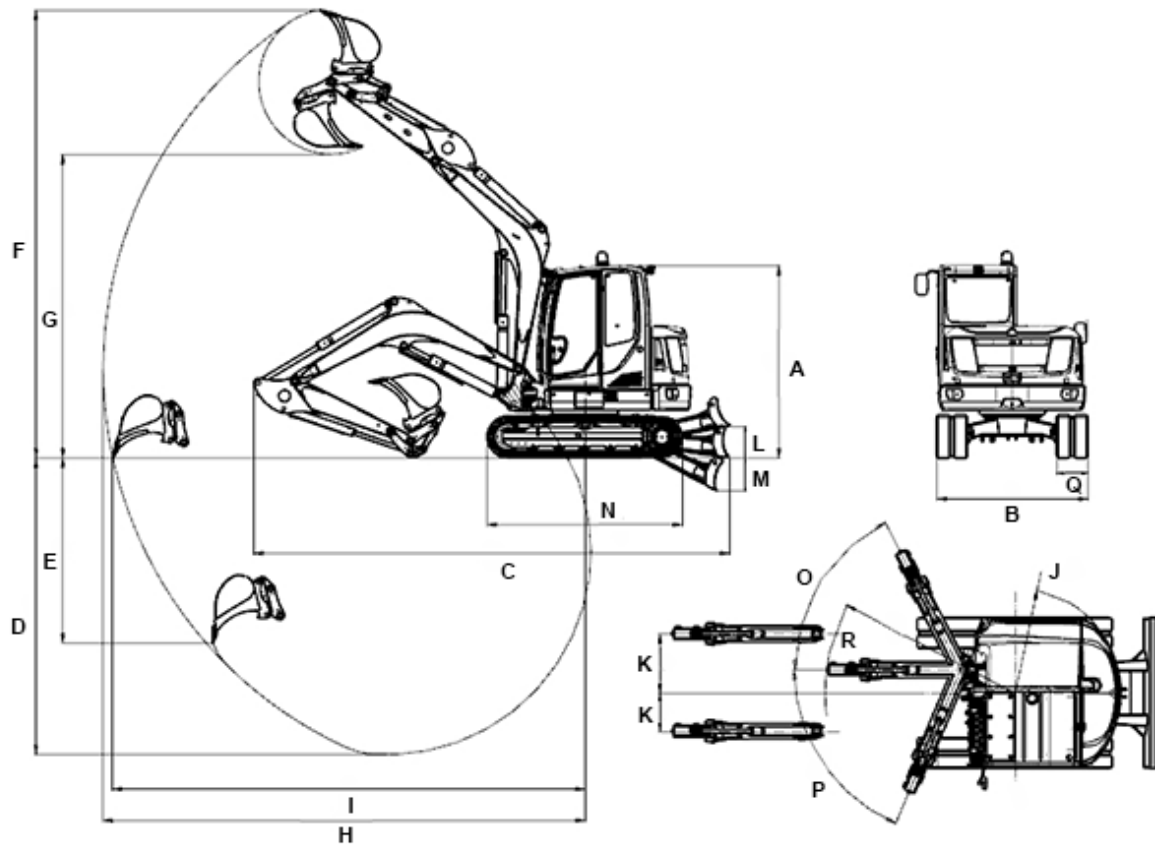
### Dozer Blade

|                                   |          |
|-----------------------------------|----------|
| Width                             | 1,950 mm |
| Height                            | 423 mm   |
| Stroke dozer blade above subgrade | 403 mm   |
| Stroke dozer blade below subgrade | 427 mm   |

### Sound level

|  |          |
|--|----------|
| Sound level (LwA) according to 2000/14/EC                        | 97 dB(A) |
| Cabin - specified sound pressure level LpA according to ISO 6394 | 77 dB(A) |

## ET65 Dimensions



|    |                                | monobloc boom | articulated boom |
|----|--------------------------------|---------------|------------------|
| A  | Height                         | 2,478 mm      | 2,478 mm         |
| -- | Width cabine                   | 1,000 mm      | 1,000 mm         |
| -- | Width revolving superstructure | 1,902 mm      | 1,902 mm         |
| B  | Width chasiss                  | 1,950 mm      | 1,950 mm         |
| B  | Width dozer blade              | 1,950 mm      | 1,950 mm         |
| C  | Transport length short ds      | 6,137 mm      | 6,065 mm         |
| C  | Transport length long ds       | 6,128 mm      | 6,194 mm         |
| D  | Digging depth max. short ds    | 3,826 mm      | 3,893 mm         |
| D  | Digging depth max. long ds     | 4,126 mm      | 4,193 mm         |
| E  | Insertion depth short ds       | 2,383 mm      | 2,764 mm         |
| E  | Insertion depth long ds        | 2,656 mm      | 3,036 mm         |
| F  | Insertion height short ds      | 5,773 mm      | 6,537 mm         |
| F  | Insertion height long ds       | 5,955 mm      | 6,770 mm         |
| G  | Dump height max. short ds      | 3,912 mm      | 4,664 mm         |
| G  | Dump height max. long ds       | 4,094 mm      | 4,898 mm         |
| H  | Digging radius max. short ds   | 6,220 mm      | 6,590 mm         |
| H  | Digging radius max. long ds    | 6,504 mm      | 6,877 mm         |
| I  | Range short ds                 | 6,097 mm      | 6,475 mm         |
| I  | Range long ds                  | 6,387 mm      | 6,772 mm         |

|    |  |          |          |
|----|--|----------|----------|
| J  | Rear swivel radius w/o counter weight            | 1,363 mm | 1,363 mm |
| J  | Rear swivel radius counter weight                | 1,481 mm | 1,481 mm |
| K  | Arm displacement to centre of bucket, right side | 766 mm   | 766 mm   |
| K  | Arm displacement to centre of bucket, left side  | 492 mm   | 492 mm   |
| L  | Lift height above ground                         | 403 mm   | 403 mm   |
| M  | Scraping depth below ground                      | 427 mm   | 427 mm   |
| N  | Length total traveling gear                      | 2,516 mm | 2,516 mm |
| -- | Length traveling gear, Turas guide wheel         | 1,989 mm | 1,989 mm |
| O  | Turning angle boom system to the right           | 63 °     | 63 °     |
| P  | Turning angle boom system to the left            | 67 °     | 67 °     |
| Q  | Chain width                                      | 400 mm   | 400 mm   |
| R  | Boom slewing radius middel                       | 2,453 mm | 3,159 mm |
| -- | Boom slewing radius right                        | 2,372 mm | 3,097 mm |
| -- | Boom slewing radius left                         | 1,902 mm | 2,732 mm |
| -- | Height dozer blade                               | 423 mm   | 423 mm   |

ds = dipper stick

Please note: that product availability can vary from country to country. It is possible that information / products may not be available in your country. More detailed information on engine power can be found in the operator's manual; the stated power may vary due to specific operating conditions. Subject to alterations and errors excepted. Applicable also to illustrations.  
Copyright © 2021 Wacker Neuson SE.