

# 8115

## Product



**KRAMER**  
*on the safe side*



### The robust, high-performance wheel loader

The Kramer wheel loader 8115 is part of the premium segment of the 8 series and is equipped with the tested principle of the one-piece chassis. The bucket volume of 1.15 - 1.8 m<sup>3</sup> dependent on the material density paired with the unique powerful engine with an optional 100 HP makes the 8115 one of the real high-performance wheel loaders. The wheel loader has a high measure of reliability, functionality and comfort with optimal manoeuvrability and stability. The newly developed cab concept offers a very good all-round visibility as well as a safe and intuitive operation.

- Versatile application: With the aid of the Kramer quick-hitch system, the attachments from our broad range can be quickly changed
- ecospeed transmission: The optional ecospeed transmission enables a stepless acceleration of 0 - 40km/h and in conjunction with the EC approval makes the 8115 the perfect tractor
- Best traction: Excellent quiet running, best traction and optimal lift capacity with the optional 24-inch tyres
- Ball hitch: The height-adjustable ball hitch in combination with the optional pneumatic braking system is suitable for a trailer load of up to 14t. (Observe national regulations)

- Long loading system: The optionally available long loading system enable more overloading height and reach

## 8115 Technical specifications

### Operating data

Bucket capacity (standard bucket)	1.15 m <sup>3</sup>
Operating weight	6,050 kg

### Engine / Motor

Engine / Motor manufacturer	Deutz
Engine performance (standard)	55.4 kW
Engine performance (option)	74.4 kW
Emission standards stage (standard)	V

### Power transmission

Traction drive	Continuously variable, hydrostatic axial piston transmission
Travel speed (standard)	20 km/h
Travel speed (optional)	30 km/h
Driving speed (option)	40 km/h
Standard tires	405/70-24
Differential lock	100% connectable
Max. steering angle	2x40 °

### Steering and operating hydraulics

Max. pump discharge capacity	84 l/min
Max. pump pressure	240 bar
Max. Powerflow discharge capacity (Option)	120 l/min

### Kinematics

Design system	Parallel kinematics
Tipping load (with bucket)	4,300 kg
Payload (S=1.25)	2,900 kg
Tilt-in angle	50 °
Tip-out angle	45 °

### Filling capacities

Fuel tank	120 l
Hydraulic oil tank	64 l
DEF tank (Deutz 3.6)	10 l

### Sound emission

Measured value	100.8 dB(A)
Guaranteed value	101 dB(A)
Noise level at the driver's ear	77 dB(A)

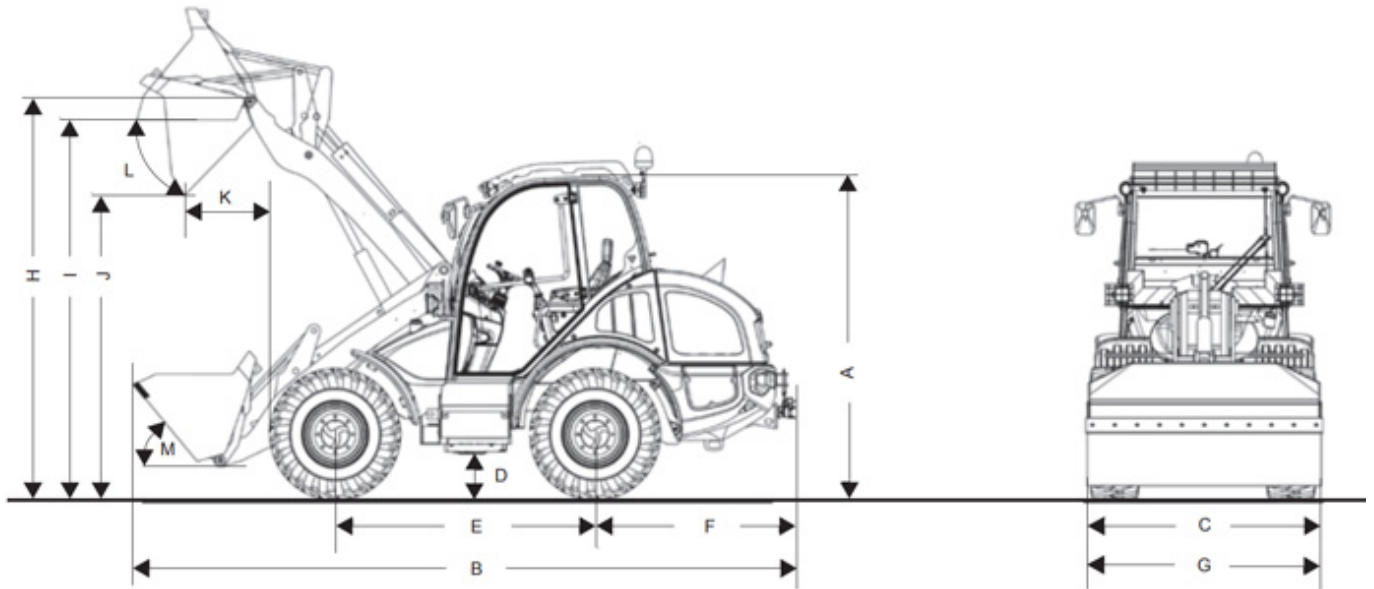
### Vibrations

Total vibrations value of the upper body extremities	< 8.2 feet/s <sup>2</sup>
Highest effective value of weighted acceleration for the body	< 1.64 feet/s <sup>2</sup>

All statements without guarantee.

Additional technical data is available in the detailed brochure in the informational material section

## 8115 Dimensions



A	Height	2,680 mm
B	Length	5,800 mm
C	Width	1,970 mm
D	Ground clearance	390 mm
E	Wheelbase	2,150 mm
	Center of front axle to tip of teeth	2,030 mm
F	Center of rear axle to end of vehicle	1,620 mm
G	Bucket width	2,150 mm
H	Bucket pivot point	3,450 mm
I	Overhead loading height	3,200 mm
J	Dumping height	2,650 mm
K	Dump reach	660 mm
	Stack height	3,200 mm
	Turning radius (over tyres)	2,950 mm

Alle Angaben wurden mit folgender Bereifung ermittelt: 28 x 9.00 - 15

Please note: that product availability can vary from country to country. It is possible that information / products may not be available in your country. More detailed information on engine power can be found in the operator's manual; the stated power may vary due to specific operating conditions. Subject to alterations and errors excepted. Applicable also to illustrations.  
Copyright © 2021 Kramer-Werke GmbH.