

8180

Product



KRAMER
on the safe side



The Kramer wheel loader with maximum performance

The high quality of the materials used make this machine extra heavy-duty on the one hand and very comfortable on the other. The spacious cabin is equipped with ergonomically arranged operator's controls. The machine's performance efficiency also leaves nothing to be desired. The 115 kW Deutz engine provides a lot of power.

- The connectable 100% differential lock in the front and rear axle provides outstanding traction on muddy surfaces.
- This model is very simple to operate thanks to the hydrostatic drive
- The ecospeedPRO optionally provides 40 km/h. The integrated Smart Driving automatically regulates the rpm here
- The standard air-conditioning system also ensures you can work comfortably, even in extreme temperatures
- The rear-view camera is already integrated into the 7" LCD display

8180 Technical specifications

Operating data

Bucket capacity	1.8 m ³
Operating weight	11,050 kg

Engine / Motor

Engine / Motor manufacturer	Deutz
Engine performance (standard)	115 kW
Emission standards stage (standard)	V

Power transmission

Traction drive	Automotive continuously variable, hydrostatic axial piston drive
Travel speed	20 km/h
Travel speed	30 km/h
Driving speed (option)	40 km/h
Standard tires	500/70R24 Michelin BIBLOAD
Differential lock	100 % front axle + rear axle
Max. steering angle	2x40 °

Steering and operating hydraulics

Max. pump discharge capacity	180 l/min
Max. pump pressure	250 bar

Kinematics

Design system	PZ-kinematics
Tipping load (standard bucket)	6,900 kg
Payload	4,800 kg
Tilt-in angle	45 °
Tip-out angle	45 °

Filling capacities

Fuel tank	140 l
Hydraulic oil tank	125 l
DEF tank	12 l

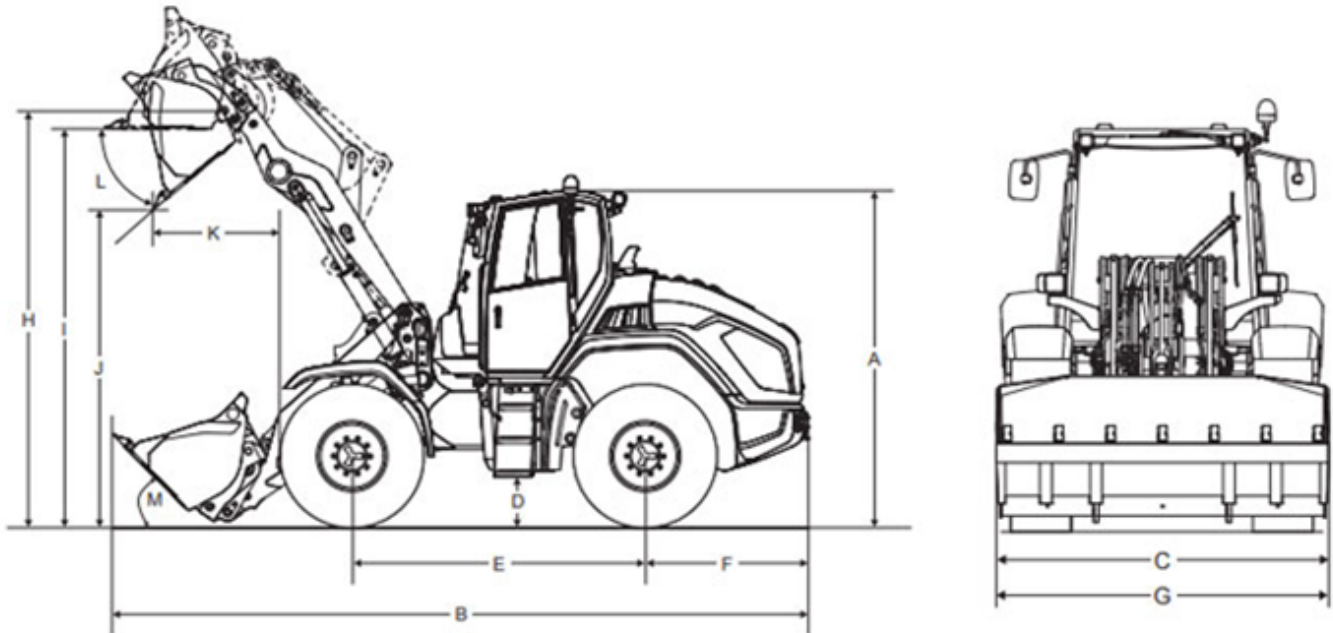
Sound emission

Measured value	100.7 dB(A)
Guaranteed value	102 dB(A)
Noise level at the driver's ear	70 dB(A)

Vibrations

Total vibrations value of the upper body extremities	< 2.5 m/s ²
Highest effective value of weighted acceleration for the body	< 0.5 m/s ²

8180 Dimensions



A	Height	3,010 mm
B	Length	6,550 mm
C	Width	2,500 mm
D	Ground clearance	445 mm
E	Wheelbase	2,626 mm
F	Center of rear axle to end of vehicle	1,520 mm
G	Bucket width	2,500 mm
H	Bucket pivot point	3,760 mm
I	Overhead loading height	3,520 mm
J	Dumping height	2,695 mm
K	Dump reach	1,172 mm
	Turning radius	3,865 mm

Kramer wheel loader 8180 with standard loader unit

Please note: that product availability can vary from country to country. It is possible that information / products may not be available in your country. More detailed information on engine power can be found in the operator's manual; the stated power may vary due to specific operating conditions. Subject to alterations and errors excepted. Applicable also to illustrations.

Copyright © 2021 Kramer-Werke GmbH.