

2205

Telehandlers < 6 m



KRAMER
on the safe side



Compact design meets performance

The 2205 compact telehandler offers a unique combination of lift height, machine width and performance as well as a perfect interplay of powerful engine output and outstanding manoeuvrability. Stacking and transport work is fast and easy, even in the tightest of spaces. Precise work becomes child's play thanks to the sensitive work hydraulics.

- Innovative driver assistance system: Smart Handling
- Powerful hydrostatic drive system
- Precise and sensitive work hydraulics
- Over 5 meters of stacking height
- Superb all-round visibility

2205 Technical specifications

Operating data

Max. stack height	5,000 mm
Max. payload	2,200 kg
Operating weight	4,200 kg
Bucket capacity	0.71 m ³
Lift height Pin height	5,471 mm
Turning radius Tyres	3,281 mm
Steering angle	2x40 °

Engine / Motor

Engine / Motor manufacturer	Perkins
Type / Model	404Y-E22TA
Engine performance	45 kW
Emission standards stage	V

Power transmission

Traction drive	Hydrostatic
Travel speed Stage 1:	7 km/h
Travel speed Stage 2:	20 km/h
Differential lock	100% connectable
Service brake central	Parking brake on all four wheels effective
Standard tires	10.5/80-18 AS ET0

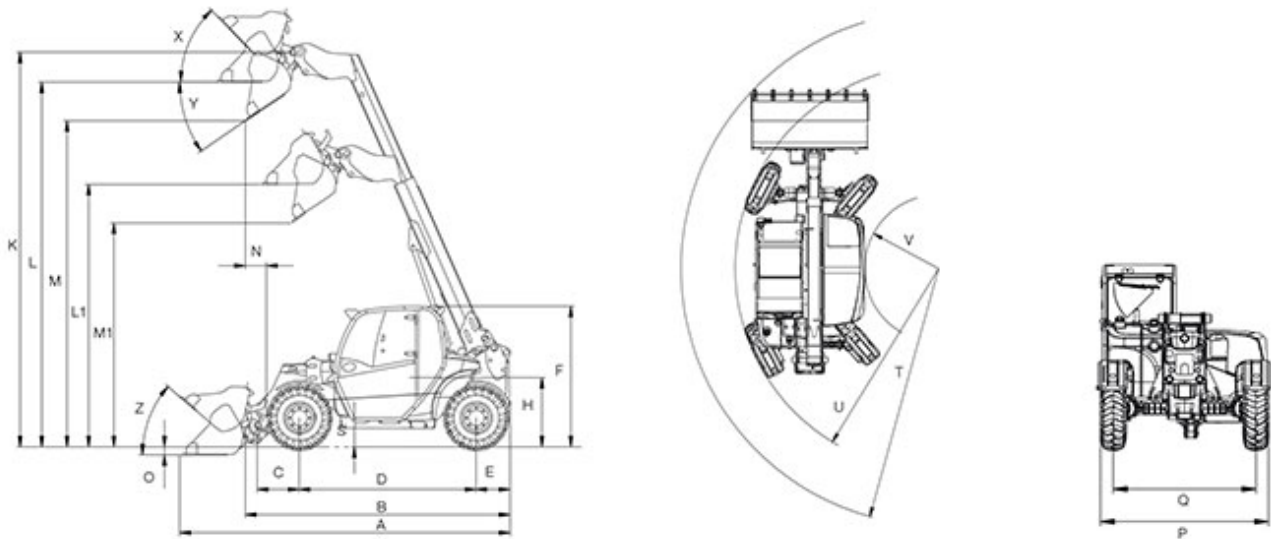
Operating hydraulics

Max. pump discharge capacity	70 l/min
Max. pump pressure	225 bar
Flow rate optional	106 l/min

Filling capacities

Fuel tank	70 l
Hydraulic oil tank	55 l

2205 Dimensions



A	Overall length	4,576 mm
P	Overall width without attachment	1,808 mm
Q	Track width front	1,530 mm
Q	Track width rear	1,530 mm
F	Total height with cabin	1,950 mm
D	Wheelbase center	2,449 mm
S	Ground clearance under axle and gearbox	256 mm
E	Distance center of rear wheel to rear	472 mm
Y	Tip-out angle max	34.5 °
L1	Overhead loading height - retracted	3,633 mm
L	Overhead loading height - extended	5,056 mm
M1	Dumping height - retracted	3,103 mm
M	Dumping height - extended	4,502 mm
N	Dump reach - extended	293 mm
B	Length complete with quick-change device without attachment	3,747 mm
C	Distance from the center of the bearing of the front wheel to the quick-change frame	581 mm
K	Bucket pivot point - extended	5,471 mm
U	Turning radius at the outer edge of the wheels	3,281 mm
T	Turning radius at the outer edge of the bucket	4,153 mm

Please note: that product availability can vary from country to country. It is possible that information / products may not be available in your country. More detailed information on engine power can be found in the operator's manual; the stated power may vary due to specific operating conditions. Subject to alterations and errors excepted. Applicable also to illustrations.
Copyright © 2021 Kramer-Werke GmbH.