

EZ17

Tracked Zero Tail Excavators



**WACKER
NEUSON**
all it takes!



Compactness in top form

The EZ17 compact excavator is the best performance Zero Tail model in its class. The large volume diesel engine combined with LUDV (Load Sensing System) and the new cooling system promise high performance and efficiency. The compact and robust design ensures longer operating life. The EZ17 guarantees the perfect full 360-vision - upward as well as downward - and offers an extremely large field of vision.

- Best performance Zero Tail model in its class with a large volume diesel engine and LUDV (Load Sensing System).
- Zero tail swing for working in tight and confined spaces.
- New cooling system promise high performance also in high surrounding temperatures of up to 45 °C.
- Compact, robust design ensures longer operating life.
- Extremely large field of vision through top window.

EZ17 Technical specifications

Operating data

| | |
|------------------------------|------------------------|
| Shipping weight min. | 1,595 kg |
| Operating weight | 1,724 - 1,950 kg |
| Biting force max. | 9.1 kN |
| Breakout force max. | 18.7 kN |
| Digging depth max. | 2,486 mm |
| Dumping height | 2,436 - 2,550 mm |
| Digging radius max. | 4,050 mm |
| Superstructure slewing speed | 10 1/min |
| L x W x H | 3,584 x 990 x 2,362 mm |
| Tank capacity | 22 l |

Engine / Motor

| | |
|----------------------------------|---------------------------------------|
| Engine / Motor manufacturer | Yanmar |
| Engine / Motor type | 3TNV76 |
| Engine / Motor | Water-cooled 3-cylinder diesel engine |
| Emission standards stage | 5 |
| Displacement | 1,116 cm ³ |
| RPM / speed | 2,200 rpm |
| Engine performance output to ISO | 13.8 kW |

Battery

| | |
|---------|-------|
| Battery | 44 Ah |
|---------|-------|

Hydraulic system

| | |
|--|------------|
| Flow rate | 39.6 l/min |
| Operating pressure for working and traction hydraulics | 240 bar |
| Operating pressure Slewing gear | 150 bar |
| Hydraulic oil tank | 21 l |

Undercarriage

| | |
|-------------------|----------|
| Travel speed max. | 4.8 km/h |
| Chain width | 230 mm |
| Ground clearance | 156 mm |

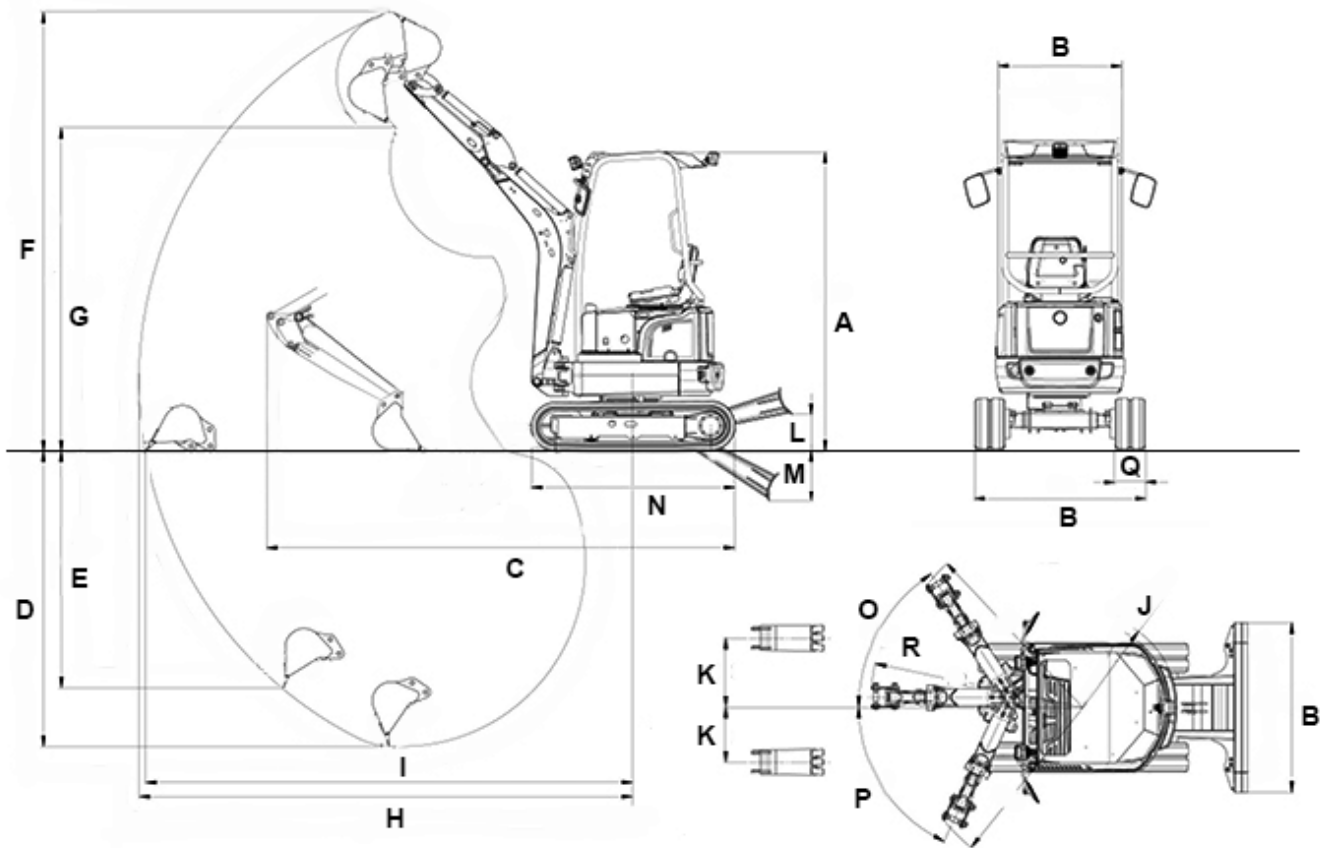
Dozer Blade

| | |
|--------|----------|
| Width | 1,300 mm |
| Height | 230 mm |

Sound level

| | |
|---|----------|
| Sound level (LwA) acc. to 2000/14/EC | 93 dB(A) |
| Cabin - specified sound pressure level LpA acc. to ISO 6394 | 79 dB(A) |

EZ17 Dimensions



| | | |
|---|---|----------|
| A | Height | 2,362 mm |
| B | Width of canopy | 885 mm |
| B | Width of revolving superstructure | 990 mm |
| B | Width Undercarriage width, retracted | 1,300 mm |
| C | Transport length (short dipper arm) | 3,584 mm |
| C | Transport length (long dipper arm) | 3,551 mm |
| D | Digging depth max. Max. (short dipper arm) | 2,326 mm |
| D | Digging depth max. Max. (long dipper arm) | 2,486 mm |
| E | Insertion depth Max. vertical (short dipper arm) | 1,713 mm |
| E | Insertion depth Max. vertical (long dipper arm) | 1,863 mm |
| F | Insertion height Max. (short dipper arm) | 3,462 mm |
| F | Insertion height Max. (long dipper arm) | 3,576 mm |
| G | Dump height max. Max. (short dipper arm) | 2,436 mm |
| G | Dump height max. Max. (long dipper arm) | 2,550 mm |
| H | Digging radius max. Max. (short dipper arm) | 3,899 mm |
| H | Digging radius max. Max. (long dipper arm) | 4,050 mm |
| I | Range Max. span on the ground (short dipper arm) | 3,848 mm |
| I | Range Max. span on the ground (long dipper arm) | 4,002 mm |
| J | Rear swivel radius Min. | 660 mm |
| K | Arm displacement Max. boom offset to centre of bucket, right side | 533 mm |

| | | |
|----|--|----------|
| K | Arm displacement Max. boom offset to centre of bucket, left side | 418 mm |
| L | Lift height Max. dozer blade above ground | 271 mm |
| M | Scraping depth Max. dozer blade below ground | 390 mm |
| N | Length Total crawler | 1,607 mm |
| O | Turning angle Max. right | 57 ° |
| P | Turning angle Max. left | 65 ° |
| Q | Chain width | 230 mm |
| R | Boom slewing radius center | 1,627 mm |
| -- | Boom slewing radius right | 1,519 mm |
| -- | Boom slewing radius left | 1,372 mm |
| -- | Distance bucket and depth dozer blade (long dipper arm) | 260 mm |
| -- | Distance bucket and depth dozer blade (short dipper arm) | 332 mm |
| -- | Height Dozer blade | 230 mm |

Please note: that product availability can vary from country to country. It is possible that information / products may not be available in your country. More detailed information on engine power can be found in the operator's manual; the stated power may vary due to specific operating conditions. Subject to alterations and errors excepted. Applicable also to illustrations.
 Copyright © 2021 Wacker Neuson SE.