

1445 Product



KRAMER
on the safe side



The most compact Kramer telehandler

With its ultra-compact dimensions, the 1445 by Kramer opens up a wide range of applications across many industries. Despite its small dimensions, the power ratings are impressive: The stacking payload on the pallet fork is 1,450 kilogrammes, the lift height is 4.50 metres. Even when handling heavy loads there is a sufficient reserve to work with a great reach. The efficient machine impresses with its dynamic 4-wheel drive, high payload, unbeatable manoeuvrability and low operating weight.

- Wide range of options: The powerflow work hydraulics ensure fast working cycles, the air conditioning system provides the necessary comfort and the three steering modes ensure agility when driving.
- High level of manoeuvrability: Due to the ultra-compact dimensions, the 1445 is also best-placed to cope with confined spaces.
- LED work lights: The work lights provide the operator with optimum visibility both in the front and rear, and on the telescopic boom.
- Comfortable cab: Modern design and optimised visibility, as well as ergonomically arranged operator's controls and low vibrations.
- Electric parking brake with hold function for more

comfort and safety.

1445 Technical specifications

Operating data

Max. stack height	4,301 mm
Max. payload	1,450 kg
Payload at max. stack height	1,450 kg
Stack height at max. payload	4,301 mm
Max. reach	2,289 mm
Operating weight	3,000 kg

Engine / Motor

Engine / Motor manufacturer	Yanmar
Type / Model	8TNV80FT (standard) 3TNV86CHT (option)
Engine performance	18.4 kW
Engine performance	19 kW
Emission standards stage	V
Exhaust aftertreatment system (option)	DOC + DPF

Power transmission

Traction drive	Hydrostat
Service brake	Foot-activated hydraulic disc brake

Operating hydraulics

Duty pump	Gear pump
Max. pump discharge capacity	36 l/min
Max. pump pressure	220 bar

Filling capacities

Fuel tank	33 l
Hydraulic oil tank	36 l

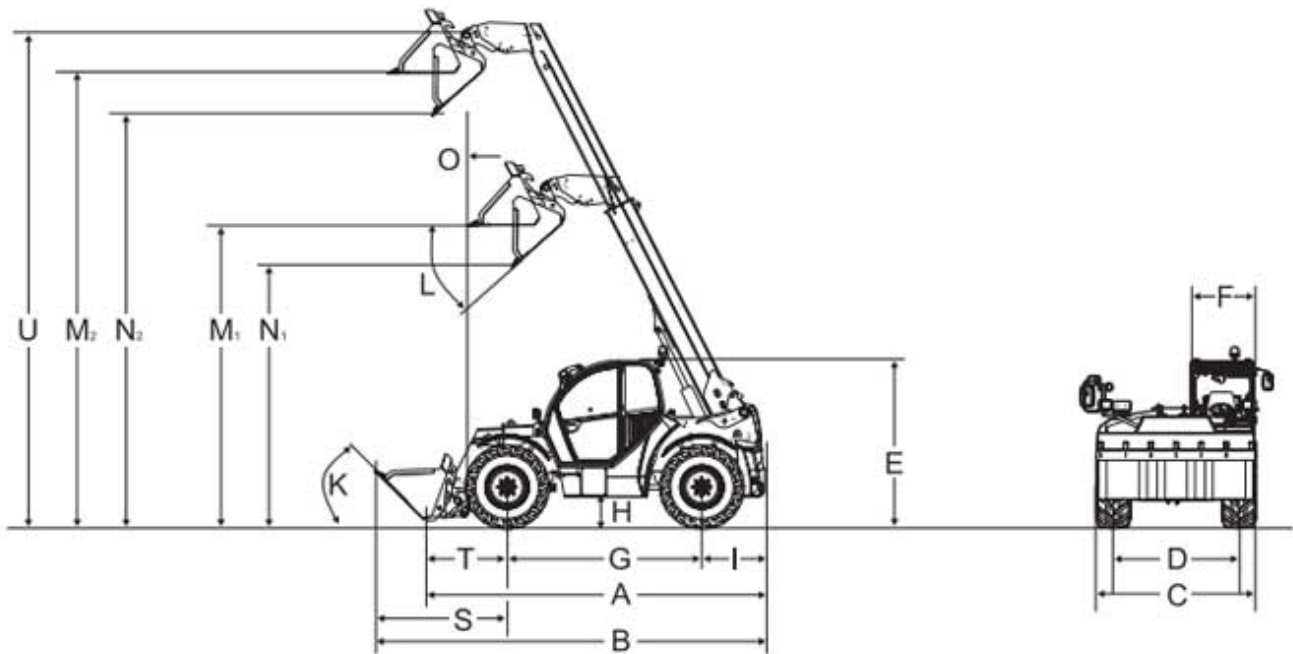
Sound emission

Measured value	99.5 dB(A)
Guaranteed value	101 dB(A)
Noise level at the driver's ear	84 dB(A)

Vibrations

Total vibrations value of the upper body extremities	< 2.5 m/s ² (< 8.2 feet/s ²)
Highest effective value of weighted acceleration for the body	< 0.5 m/s ² (< 1.64 feet/s ²)**** < 1.28 m/s ² (< 4.19 feet/s ²)*****

1445 Dimensions



A	Overall length	2,977 mm
B	Overall length with bucket	3,944 mm
C	Overall width without attachment	1,564 mm
E	Total height	1,995 mm
F	Cabin width	655 mm
G	Wheelbase center	1,922 mm
H	Ground clearance under axle and gearbox	294 mm
K	Tipping angle	44 °
L	Tip-out angle	31 °
M1	Overhead loading height - retracted	2,949 mm
M2	Overhead loading height - extended	4,163 mm
N1	Dumping height - retracted	2,352 mm
N2	Dumping height - extended	3,566 mm
O	Dump reach - extended	476 mm
S	Distance from the front wheel center to the front edge of the bucket	1,595 mm
T	Distance from the center of the bearing of the front wheel to the quick-change frame	450 mm
	Turning radius at the outer edge of the wheels	2,695 mm
	Entry height, cabin floor	420 mm
	Turning radius at the outer edge of the bucket	3,550 mm

Please note: that product availability can vary from country to country. It is possible that information / products may not be available in your country. More detailed information on engine power can be found in the operator's manual; the stated power may vary due to specific operating conditions. Subject to alterations and errors excepted. Applicable also to illustrations.
Copyright © 2022 Kramer-Werke GmbH.