

5507

Telehandlers > 7 m



KRAMER
on the safe side



Flexibility and efficiency in one

The Kramer 5507 telehandler combines the best of two worlds – the sturdiness of a wheeled loader with the stacking height of a telehandler. The 156 HP strong Deutz engine combined with the series standard ecospeedPRO drive system ensures top-performance at every construction site. The ergonomic and functional cab ensures stress-free working. The different working modes of the Smart Handling overload system offer safety and comfort.

- Hydraulics: Load-sensing gear pump with a discharge volume of max. 187 l/min
- All-round visibility: The spacious cab with a window area of 3.6 m³ enables a perfect overview on all sides
- Payload: The telescoping loading system enables a stacking height of over 7 m with a payload of 5.5 t
- Loader unit: The z-kinematics of the telescopic wheel loader ensures high tearing forces and make a quick dumping possible
- High quality cab: all important functional parameters are combined in the A-column and are colour-coded

5507 Technical specifications

Operating data

Max. payload (LC 500 mm)	5,500 kg
Max. stack height	7,017 mm
Payload at max. stack height	4,000 kg
Payload (at max. reach)	2,000 kg
Stack height at max. payload	5,500 mm
Reach at max. payload	1,890 mm
Max. reach	3,900 mm
Turning radius over tyres	4,240 mm
Operating weight (max. w/o add-on equipment)	10,500 kg
Total swing angle of tool carrier	152 °
Bucket capacity (standard bucket)	1.2 m ³

Engine / Motor

Engine / Motor manufacturer	Deutz
Type / Model	TCD 4.1 / L4
Engine performance	115 kW
Emission standards stage	V
Exhaust aftertreatment system	DOC+DPF+SCR

Power transmission

Traction drive	ecospeedPRO
Travel speed (Serie)	20 km/h
Travel speed (optional)	30 km/h
Travel speed (optional)	40 km/h
Differential lock	100 % switchable in front axle
Standard tires	405/70-24

Operating hydraulics

Duty pump	Load-sensing axial piston pump
Max. pump discharge capacity	187 l/min
Max. pump pressure	260 bar

Filling capacities

Fuel tank	180 l
DEF tank	13 l
Hydraulic oil tank	100 l

Sound emission

Measured value	105 dB(A)
Guaranteed value	106 dB(A)
Noise level at the driver's ear	77 dB(A)

Vibrations

Total vibrations value of the upper body extremities	< 2,5 m/s ²
--	------------------------

Highest effective value of weighted acceleration for the body

< 0,5 m/s²

All statements without guarantee.

Payload at max. lift height: with hydraulic leveling

Stacking height at max. payload: with hydraulic leveling

Sound emission: The measurement occurs according to the requirements of the EN 1459 standard and the 2000/14/EC directive. Measuring area: asphalted surface

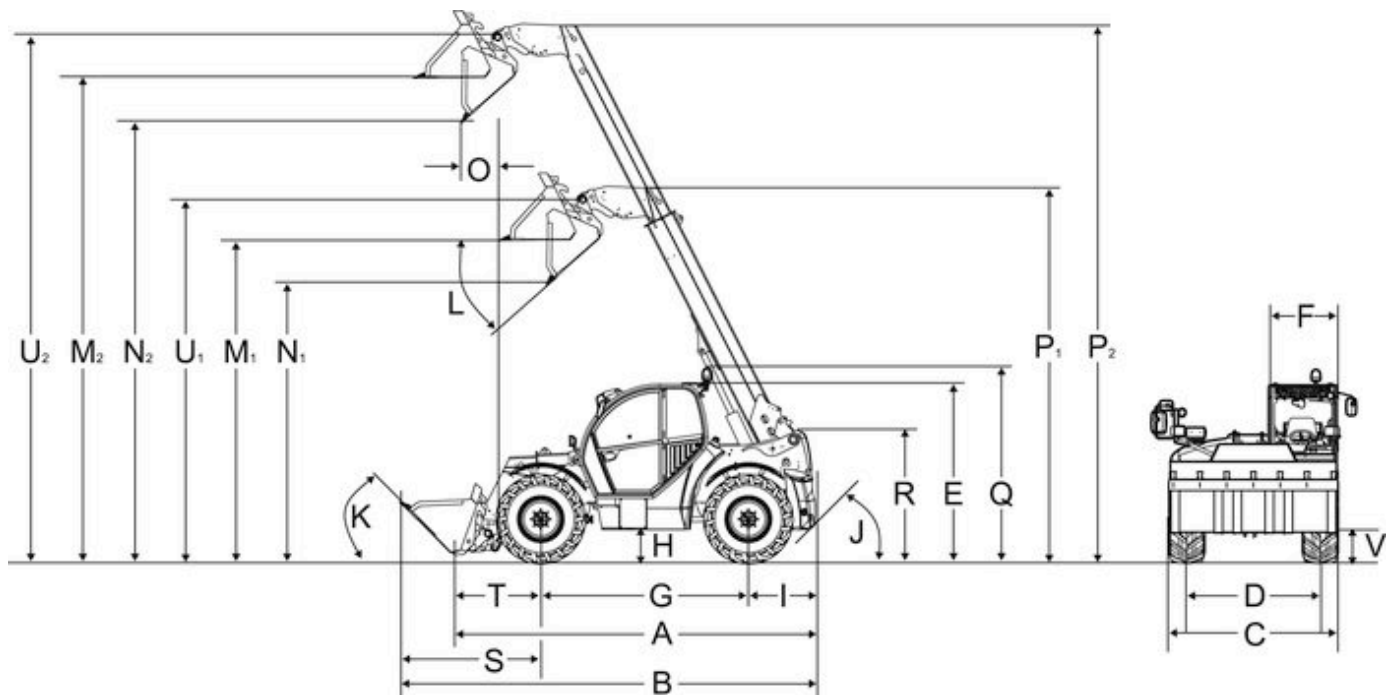
Vibrations: Uncertainty of measurement as specified in ISO/TR 25398:2006. Please instruct or inform the operator of possible hazards from vibrations.

Vibrations: Total vibrations value of the upper body extremities: on level and secure ground driving appropriately

Vibrations: Highest effective value of weighted acceleration for the body: use in extraction under harsh environmental conditions

Additional technical data is available in the detailed brochure within the informational material section

5507 Dimensions



A	Overall length	4,985 mm
B	Overall length with bucket	6,160 mm
C	Overall width without attachment	2,500 mm
D1	Track width front	1,995 mm
D2	Track width rear	2,065 mm
E	Total height	2,570 mm
F	Cabin width	990 mm
G	Wheelbase center	2,950 mm
H	Ground clearance under axle and gearbox	418 mm
I	Distance center of rear wheel to rear	950 mm
J	Rear actuation angle	36.5 °
K	Tipping angle	45 °
L	Tip-out angle (standard bucket up)	41 °
M1	Overhead loading height - retracted	4,518 mm
M2	Overhead loading height - extended	6,835 mm
N1	Dumping height - retracted	3,865 mm
N2	Dumping height - extended	6,183 mm
O	Dump reach - extended	495 mm
P1	Length Tele Auszugslänge - eingefahren	5,287 mm
P2	Length Tele Auszugslänge - ausgefahren	7,604 mm
Q	Total height with rotating beacon	2,750 mm
R	Total height of the telescopic arm bearing in the frame	1,761 mm
S	Distance from the front wheel center to the front edge of the bucket max.	2,260 mm
T	Distance from the center of the bearing of the front wheel to the quick-change frame	753 mm
U1	Bucket pivot point - retracted	5,092 mm

U2	Bucket pivot point - extended	7,409 mm
V	Transport position with attachment	250 mm
-	Turning radius at the outer edge of the wheels	4,240 mm
-	Entry height, cabin floor	975 mm
-	Turning radius at the outer edge of the bucket	5,265 mm

All statements without guarantee.

Machine dimensions can vary depending on tyres.

'Total length' and 'Distance from center of rear wheel to the rear':

- with hitch coupling + 70 mm (KT276); + 320 mm (KT306, KT356, KT307, KT357, KT447, KT507, KT557); + 154 (KT559)

- with height adjustable ball hitch + 320 mm (KT306, KT356, KT307, KT357, KT447, KT507, KT557)

- with fixed ball hitch + 200 mm (KT306, KT356, KT307, KT357, KT447, KT507, KT557)

'Total width without bucket' with standard bucket 5 depending on the tyres, with folded-in mirrors

'Rear approach angle (departure angle)' with ball hitch 51° (KT276); 32° (KT306, KT356, KT307, KT357)

Please note: that product availability can vary from country to country. It is possible that information / products may not be available in your country. More detailed information on engine power can be found in the operator's manual; the stated power may vary due to specific operating conditions. Subject to alterations and errors excepted. Applicable also to illustrations.

Copyright © 2021 Kramer-Werke GmbH.