

# 5040 Product



**KRAMER**  
*on the safe side*



## Powerful. Safe. Intelligent

The 5040 - perfect power, compact dimensions and low dead weight. This all wheel steer loader is equipped with a 25.8 kilowatt Yanmar engine. The exhaust after-treatment occurs via DOC and DPF. The machine has an operating weight of 2,070 kilogrammes and with this has a bucket tipping load of 1,400 kilogrammes, the stacking payload is 900 kilogrammes. The 5040 has an innovative cabin design and some modern comfort features and power options. Due to its compactness, this machine is perfectly suited to prevail where there are space constraints. The 5040 can be driven on the foot path without a problem because it only has a width of 1.26 m. It is even possible to transport the machine on a car trailer thanks to its low dead weight.

- Smart Driving Pro (optional): This is a new feature with three different operating modes that support and relieve the operator in their respective applications, whilst being fuel-efficient.
- Modern cabin design: The wide step makes entry and exit even more comfortable.
- Functional side console: The side console, which has been redesigned from scratch contains several storage areas alongside a number of functional and ergonomic features.
- Satisfying power rating: The work hydraulics with 30 l/min and Powerflow (optional) with 60 l/min ensure quick working cycles and the air-conditioning provides the necessary comfort.

- Bluetooth radio (option): The radio is equipped with a USB connection and hands-free system.

## 5040 Technical specifications

### Operating data

Bucket capacity	0.36 m <sup>3</sup>
Operating weight	2,070 kg

### Engine / Motor

Engine / Motor manufacturer	Yanmar 3TNV86CT
Engine performance	28.5 kW
Emission standards stage (standard)	V

### Power transmission

Traction drive	hydrostatic drive system
Travel speed	20 km/h
Travel speed Option	30 km/h
Standard tires	27x10.5-15 - construction machine tread
Differential lock (Option)	hydraulic (optional)
Max. steering angle	2 x 38 °

### Steering and operating hydraulics

Max. pump discharge capacity	30 l/min
Max. pump pressure	240 bar
Max. Powerflow discharge capacity	60 l/min

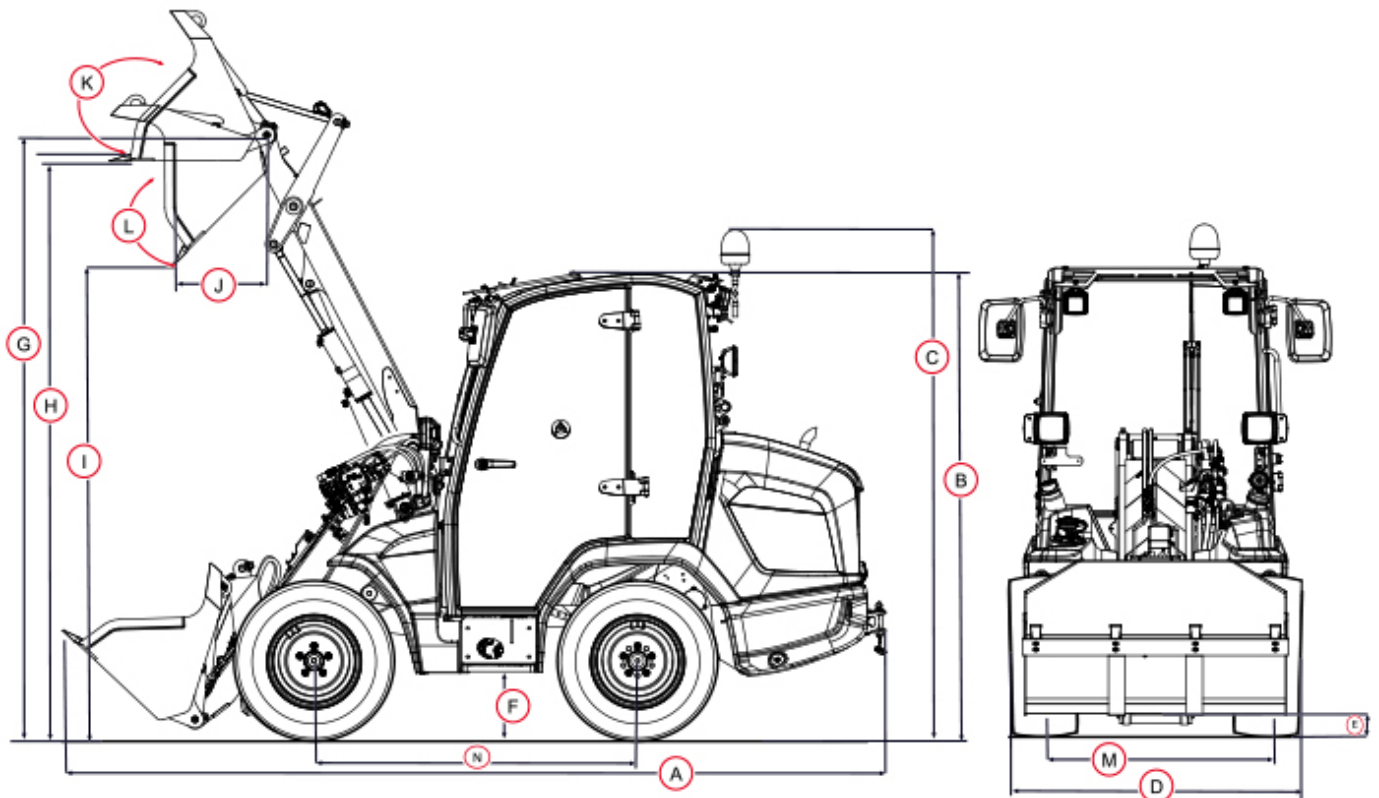
### Kinematics

Tipping load Bucket	1,400 kg
Tipping load Bucket	1,400 kg
Payload (S=1.25)	900 kg
Tilt-in angle	40 °
Tip-out angle	43 °

### Filling capacities

Fuel tank	48 l
-----------	------

## 5040 Dimensions



B	Height	2,170 mm
A	Length	4,050 mm
D	Width	1,260 mm
G	Bucket pivot point	2,800 mm
H	Overhead loading height	2,680 mm
I	Dumping height	2,290 mm
	Stack height	2,630 mm

Please note: that product availability can vary from country to country. It is possible that information / products may not be available in your country. More detailed information on engine power can be found in the operator's manual; the stated power may vary due to specific operating conditions. Subject to alterations and errors excepted. Applicable also to illustrations.

Copyright © 2020 Kramer-Werke GmbH.