



RD24

Tandem Rollers

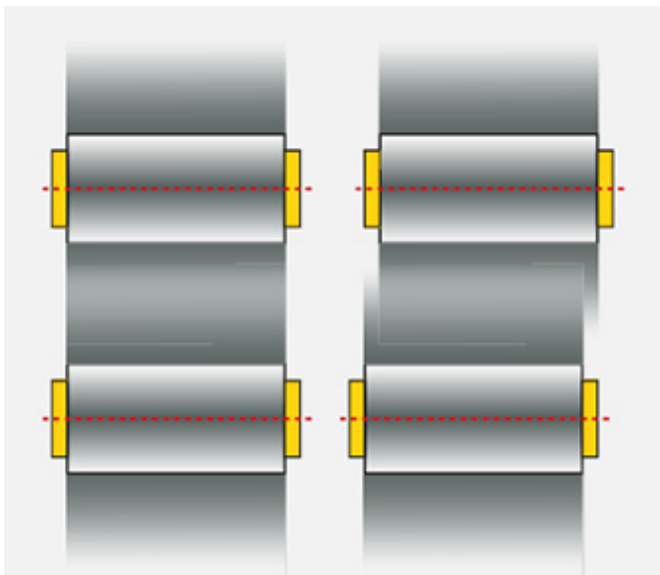


Perfect compaction results with a high level of flexibility

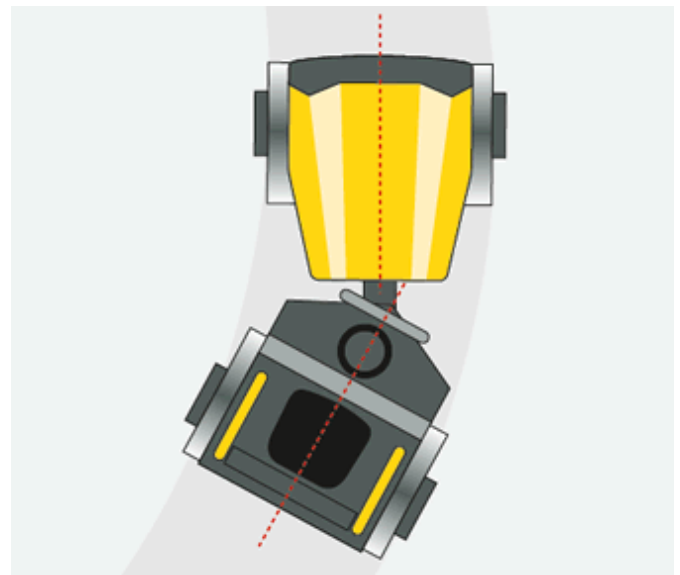
With the tandem-axle rollers of the RD24 series, the articulated pendulum joint helps to achieve a uniform, very good compaction performance with simultaneous maneuverability and optimal driving stability. The end user also benefits from the intuitive operation as well as the optimal view forward to the compaction area. They are flexible in application thanks to the low machine height. The model RD24-100 O also has an oscillating drum, which makes it possible to use the roller in sensitive areas as well.

- Installed articulated pendulum joint ensures for even compaction, a high level of maneuverability and a high level of driving stability
- Optimal visual conditions due to the slim design
- Three model versions: Tandem-axle roller with 2 vibrating drums, combination roller or tandem-axle roller with oscillating drum
- Edge pressing and cutting equipment for a clean edge of the paths
- Convenient maintenance and servicing access

Crab steering



Articulated pendulum joint

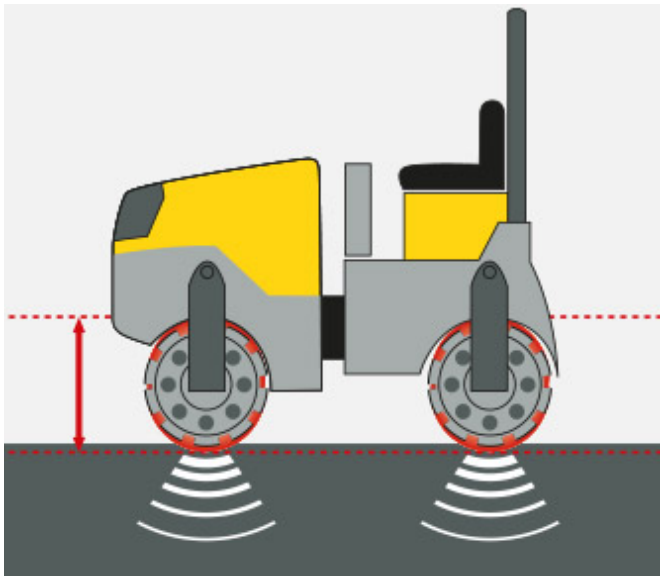




The drum offset allows for easy maneuvering when compacting along walls. In crab steering, the roller can be conveniently controlled in any desired direction.

Uniform compaction, optimal driving stability: The three-point articulated pendulum joint ensures a uniform weight distribution on the front and rear drum at all times. This also improves the maneuverability and provides for maximum stability when turning curves.

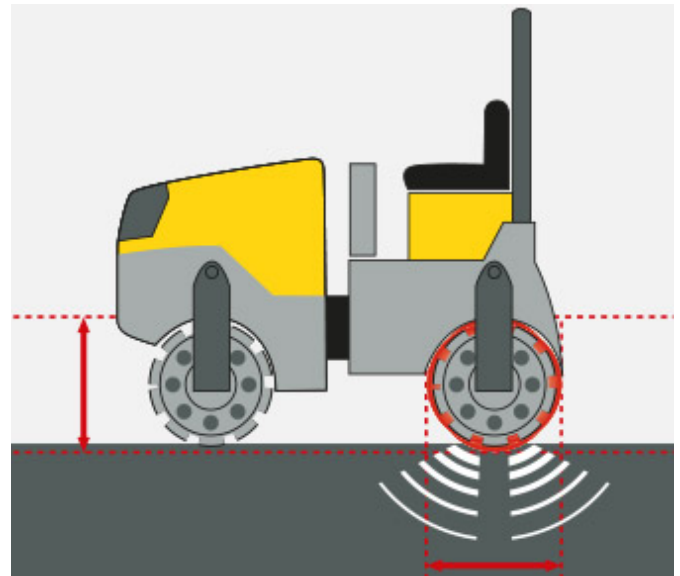
Vibrating drum



Ideal for all traditional compaction work.

The vibrating drum optimally oscillates the material to be compacted with quick successive vertical forces. The built-in eccentric weight provides for a fast rotation and an excellent compaction performance.

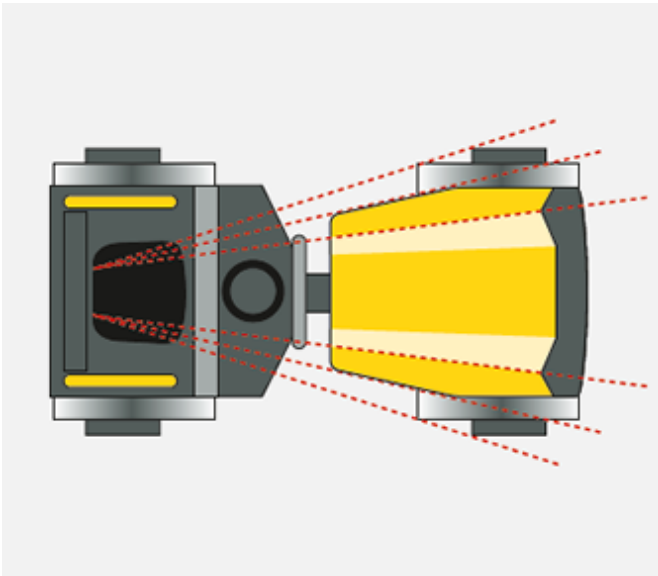
Oscillating drum



Flawlessly compacts even asphalt at low temperatures.

Perfectly suited for the compaction of seams (hot to cold).
Trouble-free operation on bridges.

Rollers with an oscillating drum compact with a high efficiency, since the drums maintain permanent contact with the ground. With its two synchronous rotating eccentric weights, the drum uses forward and reverse movements to direct its entire compaction force into the ground.



Optimal view

Everything is perfectly within view: With the specially designed, tapered design of the roller, you always have an excellent view of the drum edges, the machine environment and the job site.



Service network

We are always there for you: Thanks to our close-knit service network, you can always rely on our quick support.



First-class compaction performance

Regardless of which of our models you choose – one thing is certain: You will be impressed with the compaction performance of our rollers. Guaranteed!



Finely tiered model selection

Different tonnages and a diverse selection of tandem-axle rollers with vibration and oscillating drums as well as combination rollers: Choose exactly the model that you need for your project.



Built-in user comfort

All of the Wacker Neuson models can be easily operated for particularly pleasant work.



Technical specifications

	RD24-100	RD24-100C	RD24-100 O
Operating data			
Operating weight with ROPS kg	2,475	2,385	2,525
Operating weight max. kg	3,190	3,110	3,240
L x W x H mm	2,460 x 1,110 x 2,390	2,460 x 1,110 x 2,390	2,460 x 1,110 x 2,390
Drum width mm	1,000	1,000	1,000
Drum diameter mm	720	720	720
Operating width mm	1,050	1,050	1,050
Ground clearance Middle mm	280	280	280
Drum type Front	smooth / undivided	smooth / undivided	smooth / undivided
Drum type Rear	smooth / undivided	Tires	smooth / undivided
Axle load Front kg	1,205	1,210	1,205
Axle load Rear kg	1,270	1,175	1,320
Curb clearance mm	55	55	55
Centrifugal force Level I kN	46	46	46
Centrifugal force Level II kN	28	28	28
Frequency Level I Hz	67	67	67
Frequency Level II Hz	52	52	52
Amplitude mm	0.54	0.54	0.54
Oscillation frequency (rear) level I Hz	0	0	39
Oscillation frequency (rear) level II Hz	0	0	30
Tangential amplitude (rear) mm	0	0	1.34
Oscillation force (rear) level I kN	0	0	40
Oscillation force (rear) level II kN	0	0	23
Linear force static (front) N/mm	12.1	12.1	12.1
Linear force static (rear) N/mm	12.7		13.2
Advance travel (max) m/min	200	200	200
Gradeability with vibration %	30	30	35
Gradeability without vibration %	40	40	40
Turning radius inside mm	2,470	2,470	2,470
Engine / Motor			
Engine / Motor type	3-cylinder diesel engine	3-cylinder diesel engine	3-cylinder diesel engine
Engine / Motor manufacturer	Kubota	Kubota	Kubota



	RD24-100	RD24-100C	RD24-100 O
Engine performance ISO 14396 kW	22.9	22.9	22.9
Tank capacity Fuel l	42	42	42
Tank capacity Water l	180	180	180

Please note

that product availability can vary from country to country. It is possible that information / products may not be available in your country. More detailed information on engine power can be found in the operator's manual; the stated power may vary due to specific operating conditions.

Subject to alterations and errors excepted. Applicable also to illustrations.

Copyright © 2016 Wacker Neuson SE.